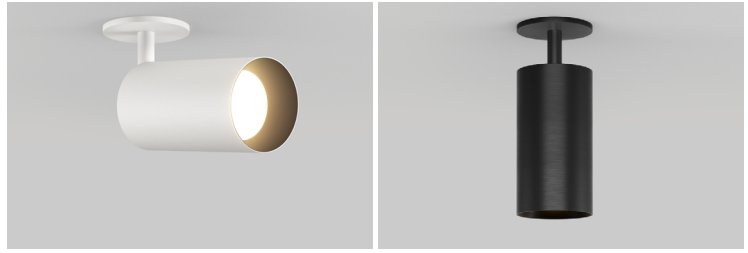


# MONOPOINT LVS

## CM1 SURFACE MOUNT

Elegant design means this monopoint does more. An inventive elbow built into the fixture body that allows a full 90 degree tilt and drop lengths of up to 1' extend adjustability.

PROJECT NAME:	TYPE:
---------------	-------



### ORDERING INFORMATION - MONOPOINT

CYLINDER	LENGTH	FIXTURE	BODY FINISH	BAFFLE FINISH	STEM FINISH	CRI / WATTAGE PACKAGE	CCT	OPTIC (UGR)	DRIVER	MEDIA	MOUNTING
<b>CM1</b>									<b>LVS</b>		
CM1 2.60"	<b>LENGTHS</b> SL 1.4" Standard 06 6" 12 12" <b>CUSTOM LENGTHS</b> XX Specify in 1" increments between 2"-11" [Ex. 4" = 04]* *(Increased lead time) <b>STEMS ARE NOT FIELD CUTTABLE</b>	<b>ADJUSTABLE DRY / DAMP</b> AD1 Adjustable 90° Tilt <b>FIXED TILT WET (IP65)</b> F02 Fixed 0° No Tilt* F12 Fixed 15° Tilt* F32 Fixed 30° Tilt* F42 Fixed 45° Tilt* <b>*FIXED TILT IS SET AS SPECIFIED, CANNOT BE CHANGED IN THE FIELD</b>	<b>POWDERCOAT</b> WH White BK Black AB Architectural Bronze AG Satin Silver AU Cashmere Gold BB Burnt Bronze CF Custom Finish* <b>*[Consult Factory]</b>  <b>ALUMINA INTERIOR APPLICATIONS ONLY</b> 01 Brushed Obsidian 02 Matte Obsidian 03 Brushed Dark Patinated Bronze 04 Matte Dark Patinated Bronze 05 Brushed Aged Aluminum 06 Matte Aged Aluminum 07 Brushed Cast Brass 08 Matte Cast Brass 09 Brushed Light Patinated Bronze 10 Matte Light Patinated Bronze  <b>ALUMINA NOT RECOMMENDED FOR EXTERIOR APPLICATIONS, FINISHES ARE NOT UV RATED</b>	<b>POWDERCOAT</b> WH White BK Black AB Architectural Bronze AG Satin Silver AU Cashmere Gold BB Burnt Bronze CF Custom Finish* <b>*[Consult Factory]</b>  <b>ALUMINA CONSULT FACTORY FOR ALUMINA FINISHES</b>	<b>POWDERCOAT</b> WH White BK Black AB Architectural Bronze AG Satin Silver AU Cashmere Gold BB Burnt Bronze CF Custom Finish* <b>*[Consult Factory]</b>  <b>ALUMINA CONSULT FACTORY FOR ALUMINA FINISHES</b>	<b>STATIC WHITE</b> 80S11A 80+ CRI, 11 Watts Lumens Delivered - 1095 90S11A 90+ CRI, 11 Watts Lumens Delivered - 941 97S11A 97+ CRI, 11 Watts Lumens Delivered - 826  <b>REMOTE STATIC WHITE</b> 80S17A 80+ CRI, 17 Watts Lumens Delivered - 1655 90S17A 90+ CRI, 17 Watts Lumens Delivered - 1422 97S17A 97+ CRI, 17 Watts Lumens Delivered - 1249  <b>WARM DIM</b> 90W11A 90+ CRI, 11 Watts Incandescent Profile Lumens Delivered - 654 Halogen Profile Lumens Delivered - 658  <b>REMOTE WARM DIM</b> 90W18A 90+ CRI, 18 Watts Incandescent Profile Lumens Delivered - 1017 Halogen Profile Lumens Delivered - 1017  SEE PAGE 4 FOR WARM DIM PROFILE COMPARISON.	24 2400K* *(90+ CRI only) 27 2700K 30 3000K 35 3500K 40 4000K  24 2400K* *(90+ CRI only) 27 2700K 30 3000K 35 3500K 40 4000K  WL 2600K - 1800K WD 2900K - 1800K  WL 2700K - 1800K WD 3000K - 1800K	10 10° (>19) 15 15° (<16) 20 20° (<10) 25 25° (<10) 40 40° (<10) 60 60° (>19)  10 10° (>19) 15 15° (<16) 20 20° (<10) 25 25° (<10) 40 40° (<10) 60 60° (>19)  20 20° (<10) 25 25° (<10) 40 40° (<10) 60 60° (>13)  20 20° (<10) 25 25° (<10) 40 40° (<10) 60 60° (>13)	LVS Low Voltage System	<b>STANDARD MEDIA</b> 4 Soft Focus Lens 0 No Lens* *(Standard with 10° optic, Not available for Wet Location or Warm Dim)  <b>ALTERNATE MEDIA</b> 2 Honeycomb Louver* *(Not available for Wet Location or Warm Dim) 3 Clear Glass Lens* *(Not available for Warm Dim) 5 Frosted Glass Lens 6 Frosted Soft Focus Lens 7 Frosted Linear Spread Lens S Soft Focus Lens w/ Honeycomb Louver F Frosted Glass Lens w/ Honeycomb Louver	<b>ROUGH-IN</b> J JBMP 4" Sq. or 4/0 Junction Box Mounting Plate. Features 2.6" diameter canopy.* *(Mounting plate must be installed on junction box prior to ceiling installation)  <b>FINISH OUT</b> C CMJB 1/2" and 3/4" Conduit Ceiling Mount Junction Box. Features matching 3.25" canopy.* *(Not available for Wet Location. Only available in powdercoat finishes. Alumina finish fixtures ship with Black powdercoat CMJB) G Zero Sightline Gypsum (1/16" Applique) Features 2.6" diameter canopy.* *(Mounts to 4/0 junction box) R Remodel 4.5" diameter Flange Overlay Canopy* *(Mounts to existing 4/0 junction box)
						LUMENS DELIVERED REFLECT 3000K PAIRED WITH 25° OPTIC AND SOFT FOCUS LENS.		SEE PAGE 3 FOR UGR RATINGS			

### PART NUMBER NOTES

- CM1 ships as e.g., CM102AD1WHBK90S17\*3040LVS4F
- Mounting ships separate from fixture, part numbers listed on page 6.






# MONOPOINT LVS CM1 SURFACE MOUNT

## APPLICATION NOTES

- Lucifer Lighting will not supply a fixture with a POE node or power supply inside the fixture. This allows for easier site install with nodes of 2 or more outputs.
- Consult node manufacturer for maximum remote wiring distances.
- Fixture features 18 Gauge wiring.
- Wiring connections are made on the fixture using customer supplied connectors, ex. wire nuts, push-in connectors, or terminal blocks.
- Confirm node compatibility with factory if it is not listed.
- Customers are responsible for ensuring POE node drive current is set to correct values shown below.
- Customers must ensure voltage range of the proposed POE node encompasses the fixtures complete Vf range, both maximum and minimum. If assistance is required contact LLC rep or factory.

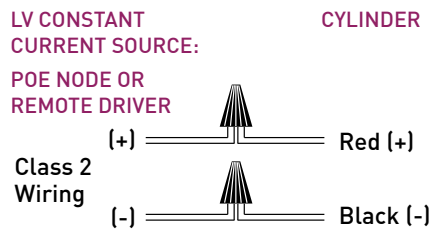
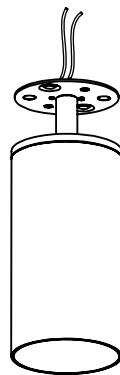
## NODE COMPATIBILITY

Manufacturer	Model Number
 Igor® Enabling Smart Buildings™	NP50-60-C-F-5
 molex	180996-1001 180996-1002 180996-2001 180996-2002
 PLATFORMATICS	1 Channel Node, POE-LN2-1U-E 2 Channel Node, POE-LN2-2U-E 4 Channel Node, POE-LN2-4U-E

## DRIVE CURRENT SPECIFICS

	80S		90S		97S		90W			
	11A	17A	11A	17A	11A	17A	11AL	11AD	18AL	18AD
Minimum Vf	30.5	30.5	30.5	30.5	30.5	30.5	30.5	30.5	30.5	30.5
Maximum Vf	39	39	39	39	39	39	39	39	39	39
Current mA	250	400	250	400	250	400	250	250	400	400
Wattage W	11	17	11	17	11	17	11	17	11	17

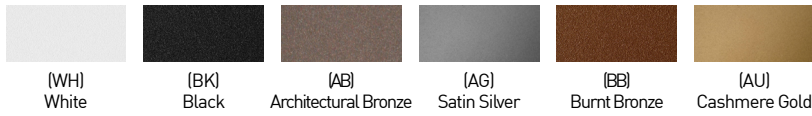
## WIRING DIAGRAM



# MONOPOINT LVS CM1 SURFACE MOUNT

## FINISHES

### POWDERCOAT FINISHES



### ALUMINA FINISHES BY LUCIFER LIGHTING™



## ACCESSORIES

### REPLACEMENT MEDIA

- HCL-CT1** Honeycomb Louver\*  
\*(Not available for Warm Dim)
- CGL-CT1** Clear Glass Lens\*  
\*(Not available for Warm Dim)
- SFL-CT1** Soft Focus Lens
- FGL-CT1** Frosted Glass Lens
- FSFL-CT1** Frosted Soft Focus Lens
- FLSL-CT1** Frosted Linear Spread Lens

### REPLACEMENT OPTICS

Interchangeable optics accessible by removing baffle.

- |  |           |  |           |
|--|-----------|--|-----------|
| <b>Static White</b>                        |           | <b>Warm Dim</b>                            |           |
| <input type="checkbox"/> <b>RO-50-15-S</b> | 15° optic | <input type="checkbox"/> <b>RO-50-20-W</b> | 20° optic |
| <input type="checkbox"/> <b>RO-50-20-S</b> | 20° optic | <input type="checkbox"/> <b>RO-50-25-W</b> | 25° optic |
| <input type="checkbox"/> <b>RO-50-25-S</b> | 25° optic | <input type="checkbox"/> <b>RO-50-40-W</b> | 40° optic |
| <input type="checkbox"/> <b>RO-50-40-S</b> | 40° optic | <input type="checkbox"/> <b>RO-50-60-W</b> | 60° optic |
| <input type="checkbox"/> <b>RO-50-60-S</b> | 60° optic |  |           |

# MONOPOINT LVS CM1 SURFACE MOUNT

## PERFORMANCE - 3000K

LUMEN PACKAGE	WATTAGE	10° OPTIC		15° OPTIC		20° OPTIC		25° OPTIC		40° OPTIC		60° OPTIC	
		NO SOFT FOCUS LENS DELIVERED	LPW	SOFT FOCUS LENS DELIVERED	LPW	SOFT FOCUS LENS DELIVERED	LPW	SOFT FOCUS LENS DELIVERED	LPW	SOFT FOCUS LENS DELIVERED	LPW	SOFT FOCUS LENS DELIVERED	LPW
80S11A	11	631	57	991	90	1093	99	1095	100	1019	93	1145	104
80S17A	17	861	51	1435	84	1701	100	1655	97	1513	89	1640	96
90S11A	11	544	51	851	86	939	95	941	96	875	89	984	100
90S17A	17	740	41	1233	76	1461	90	1422	87	1300	80	1409	86
97S11A	11	469	43	747	68	824	75	826	75	768	70	864	79
97S17A	17	639	38	1083	64	1283	75	1249	73	1141	67	1237	73
90W11AL (2600K-1800K)	11	-	-	-	-	667	60	654	59	605	54	635	58
90W11AD (2900K-1800K)	11	-	-	-	-	661	60	658	59	600	54	640	58
90W18AL (2700K-1800K)	18	-	-	-	-	1019	56	1017	56	927	57	997	62
90W18AD (3000K-1800K)	18	-	-	-	-	1043	57	1017	56	943	58	991	61

### UNIFIED GLARE RATING

10° OPTIC NO LENS	15° OPTIC SOFT FOCUS LENS	20° OPTIC SOFT FOCUS LENS	25° OPTIC SOFT FOCUS LENS	40° OPTIC SOFT FOCUS LENS	60° OPTIC SOFT FOCUS LENS
>19	<16	<10	<10	<10	<16

### MEDIA LIGHT LOSS MULTIPLIER

MEDIA	LIGHT LOSS FACTOR
No Lens	1.05
CGL	0.97
SFL	1.00
FGL	0.85
FSFL	0.82
FLSL	0.78
HCL	0.75
SFL W/ HCL	0.68
FGL W/ HCL	0.47

### OUTPUT MULTIPLIER

CCT	CCT SCALE
2400K	0.85
2700K	0.97
3000K	1.000
3500K	1.03
4000K	1.08

## WARM DIM PERFORMANCE - SOFT FOCUS LENS - 25° OPTIC

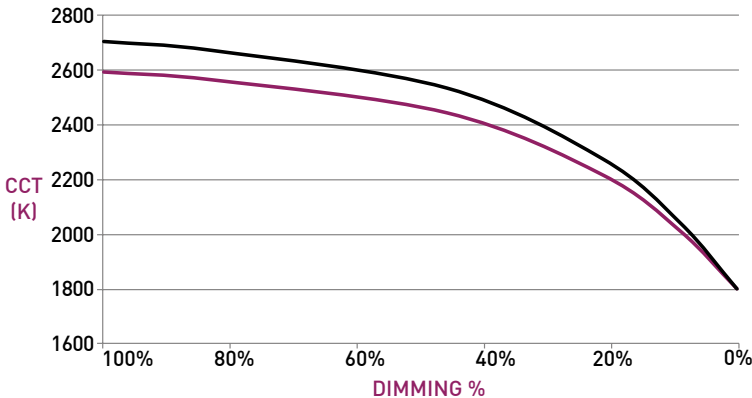
### INCANDESCENT DIMMING PROFILE

90W11AL 2600K - 1800K	Full on 100%	Dimmed to 80%	Dimmed to 70%	Dimmed to 50%	Dimmed to 20%	Dimmed to 10%	Dimmed to 2%
CCT (K)	2600	2550	2520	2450	2200	1925	1800
Light Output (Lm)	654	523	457	327	130	65	13
Power (W)	11	8.8	7.7	5.5	2.2	1.1	.22
Efficacy (LPW)	59	59	59	59	59	59	59
90W18AL 2700K - 1800K	Full on 100%	Dimmed to 80%	Dimmed to 70%	Dimmed to 50%	Dimmed to 20%	Dimmed to 10%	Dimmed to 2%
CCT (K)	2600	2650	2620	2520	2180	1950	1800
Light Output (Lm)	1017	813	711	508	203	101	203
Power (W)	18	14.4	12.6	9	3.6	1.8	.36
Efficacy (LPW)	56	56	56	56	56	56	56

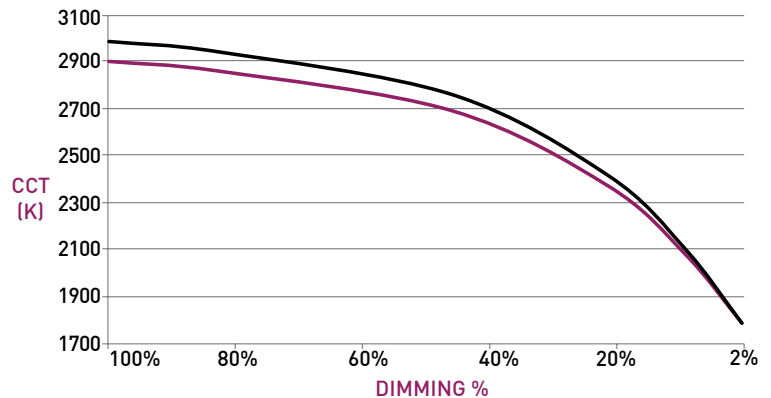
### HALOGEN WARM DIM PROFILE

90W11AD 2900K - 1800K	Full on 100%	Dimmed to 80%	Dimmed to 70%	Dimmed to 50%	Dimmed to 20%	Dimmed to 10%	Dimmed to 2%
CCT (K)	2900	2850	2800	2720	2350	1975	1800
Light Output (Lm)	658	526	460	329	131	65	13
Power (W)	11	8.8	7.7	5.5	2.2	1.1	.22
Efficacy (LPW)	59	59	59	59	59	59	59
90W18AD 3000K - 1800K	Full on 100%	Dimmed to 80%	Dimmed to 70%	Dimmed to 50%	Dimmed to 20%	Dimmed to 10%	Dimmed to 2%
CCT (K)	3000	2950	2920	2775	2375	2000	1800
Light Output (Lm)	1017	813	711	508	203	101	203
Power (W)	18	14.4	12.6	9	3.6	1.8	.36
Efficacy (LPW)	56	56	56	56	56	56	56

### 11W / 18W



### 11W / 18W



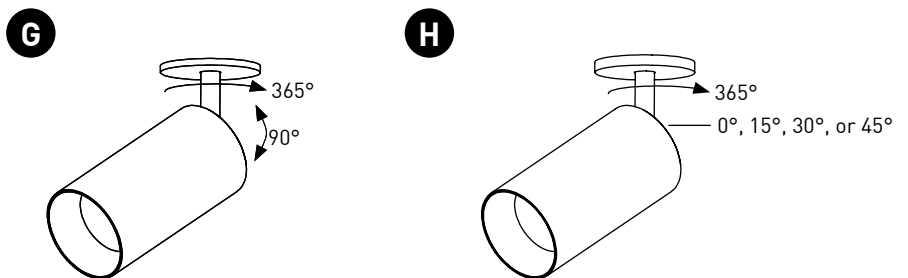
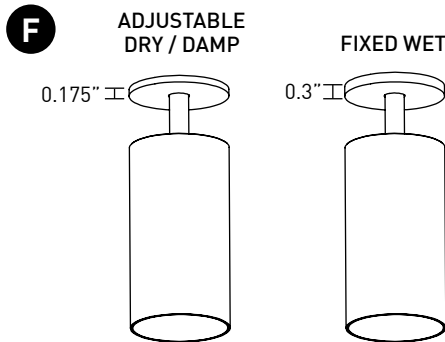
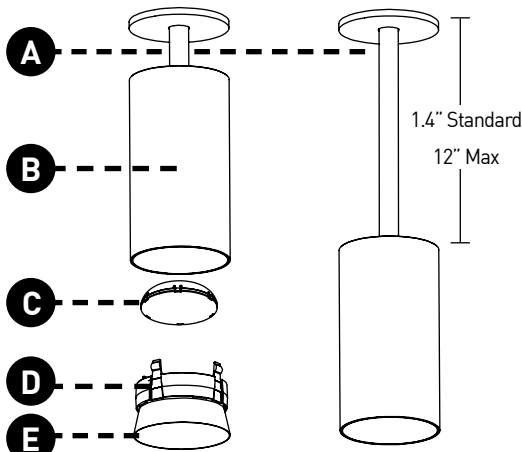
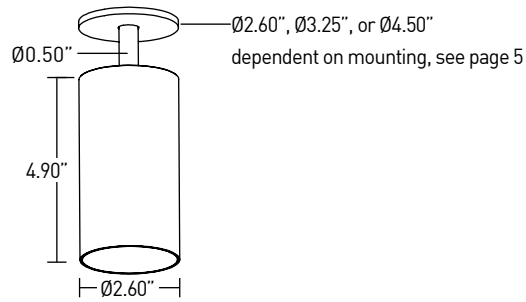
# MONOPOINT LVS CM1 SURFACE MOUNT

## MONOPOINT

- A STEM**  
Standard length is 1.4", available in even-inch increments between 2"-12". Stem is not field cuttable. Powdercoat finishes standard, consult factory for Alumina finishes.
- B BODY**  
Available in powdercoat and Alumina finishes. Requires remote power supply.
- C OPTICS**  
Robust light engine with optimized optic pairing integrates Reflection, Refraction, and TIR offering 10°, 15°, 20°, 25°, 40° & 60° beams.
- D MEDIA**  
Accepts 2 media; Soft Focus Lens standard. Wet location media sealed in place.
- E BAFFLE**  
Baffle minimizes aperture glare and conceals view into fixture. Powdercoat finishes standard, consult factory for Alumina finishes.
- F CANOPY**  
Adjustable Dry/Damp fixture features 0.175" and Fixed Wet fixture features 0.3" tall canopy.
- G ADJUSTABLE FIXTURE**  
Features 90° tilt and 365° rotation. Only available for Dry / Damp locations.
- H FIXED FIXTURE**  
Available with pre-set tilts of 0°, 15°, 30°, or 45°, and features 365° rotation. Wet rated, may be used in Dry / Damp locations.

**IMPORTANT: FIXED FIXTURE TILT CANNOT BE ADJUSTED OR CHANGED IN THE FIELD, FIXTURES MUST BE RETURNED TO FACTORY FOR TILT CHANGES AT ADDITIONAL COST.**

## DIMENSIONS / DRAWINGS



# MONOPOINT LVS CM1 SURFACE MOUNT

## MOUNTING

### I JUNCTION BOX MOUNTING PLATE

Mounting plate (concealed) for standard 4" square or 4" 4/0 j-box. To be installed during rough-in prior to substrate. Features minimalist 2.6" diameter canopy

Part Number - CM-JBMP.

### J ZERO-SIGHTLINE

Provided with mud-in appliqué that mounts to standard 4" 4/0 junction box. Allows fixture canopy to be recessed into ceiling for a flush zero-sightline aesthetic. Standard plaster stop thickness of 1/16". Not recommended for stucco applications.

Dry / Damp Part Number - DLA-APP-CM

Wet Part Number - DLA-APP-CM-2

### K CEILING MOUNT JUNCTION BOX

Ceiling mount junction box perfectly matches canopy profile for a continuous, integrated look where exposed ceiling mount junction box and conduit applications apply. For use with 1/2" and 3/4" EMT conduit only. Features two conduit entrances on either side and one conduit knockout on top of j-box. J-box is IP10 rated (Dry / Damp); powdercoat finishes only. Blank off plugs included.

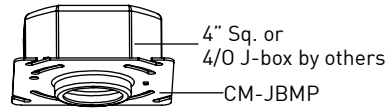
Part number - CM-CMJB-[Finish].

### L REMODEL / FLANGE OVERLAY

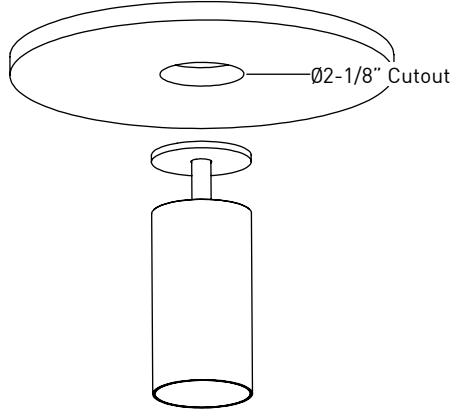
Provided with oversized canopy and mounting plate for standard 4" 4/0 junction boxes. Ideal for existing applications and features oversized 4.5" canopy to cover standard 4" octagon box cutout.

## DIMENSIONS / DRAWINGS

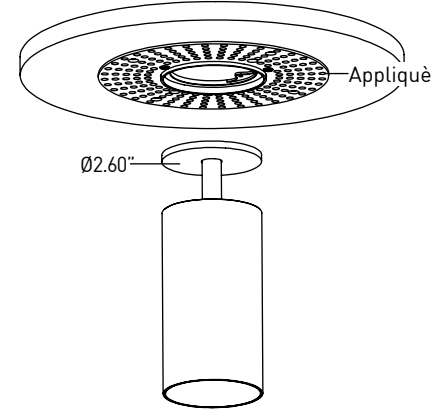
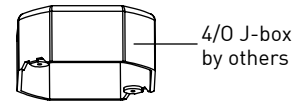
### I JUNCTION BOX MOUNTING PLATE



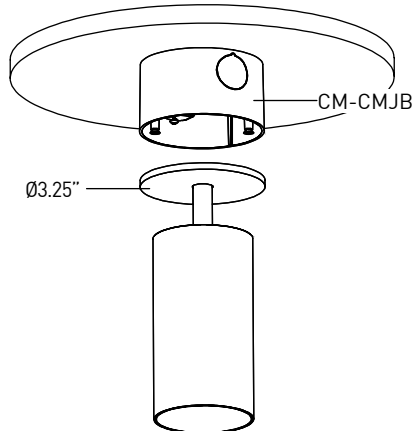
INSTALL JBMP BEFORE CEILING



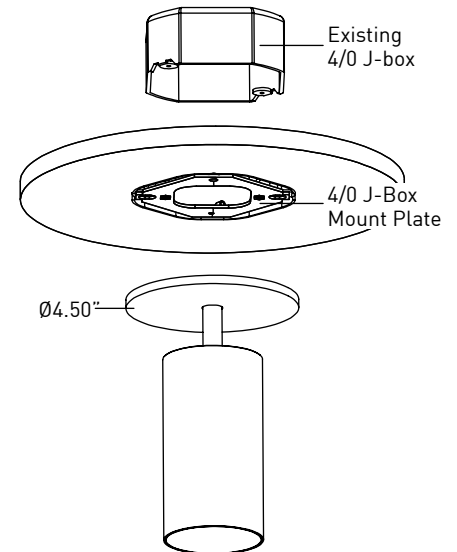
### J ZERO-SIGHTLINE



### K CEILING MOUNT JUNCTION BOX



### L REMODEL / FLANGE OVERLAY



# MONOPOINT LVS CM1 ADJUSTABLE

## TECHNICAL

### CONSTRUCTION

Monopoint: Machined aluminum body; painted finishes are granulated powder coat; Alumina finishes are anodized aluminum.

Appliqué: Machined Aluminum

### STATIC WHITE LED

2-step MacAdam ellipse LED module available in 80+, 90+ and 97+ CRI configurations in color temperatures of 2700K, 3000K, 3500K and 4000K.

3-step MacAdam ellipse LED module available in 90+ CRI configurations in color temperature of 2400K. Average rated lamp life of 50,000 hours.

### WARM DIM LED

3-step MacAdam ellipse warm dim LED module available in 90+ CRI configuration. 3000K or 2700K at full brightness, warming to 1800K at full dim. Average rated lamp life of 50,000 hours.

### LISTING

UL listed to UL2108 standard for Dry / Damp and IP65 Wet locations.

### DECLARE

LBC Red List Approved.

### BUY AMERICA ACT

All CM1 Adjustable and Fixed fixtures are BAA compliant.

### LIMITED WARRANTY

Manufacturer's Limited Warranty guarantees product(s) listed to be free from defects in material and workmanship under normal use and service for 1-year. LED'S warranted to operate with 70% of original flux and remain within a range of 3 duv for a period of 5-years. Warranty period begins from the date of shipment by Seller. [Consult website for full warranty terms and conditions.](#)

### CHANGE LOG

1. 04/27/2023: ADDED AU AND BB FINISHES OPTIONS FOR BODY AND STEM.

2. 04/27/2023: ADDED DECLARE LBC RED LIST APPROVED.

3. 08/07/2023: ADDED NEW LED AND OPTIC OFFERINGS.

REMOVED 2400K OFFERING.

4. 01/17/2024: ADDED WET RATED FIXED FIXTURE, 2400K, AND INTEGRAL WARM DIM OFFERINGS.